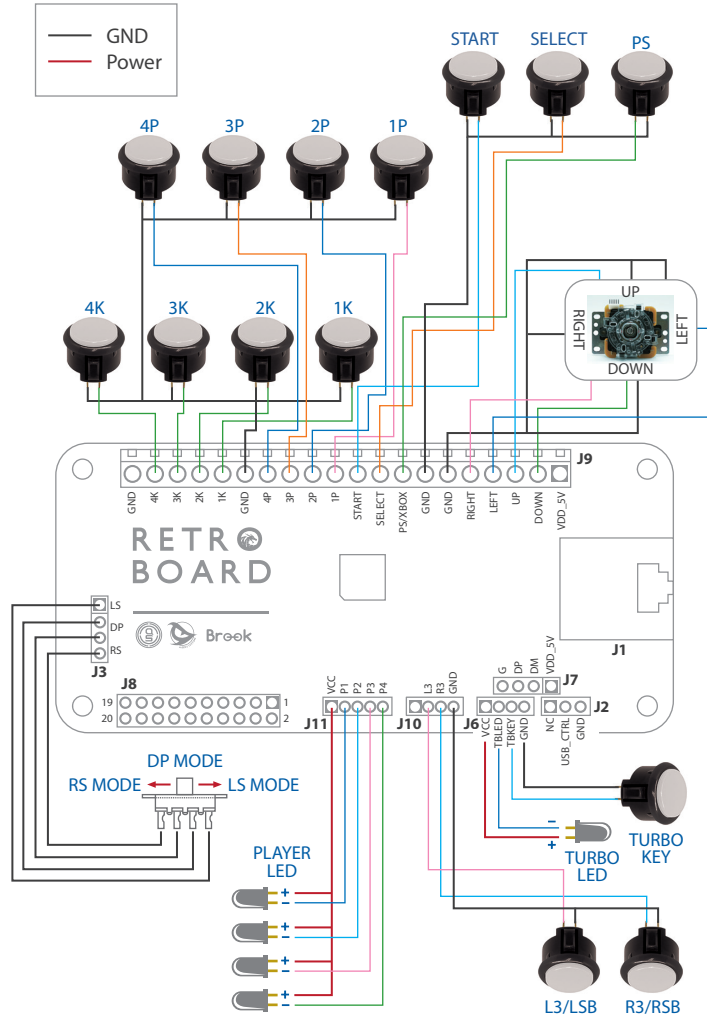


# RETRO BOARD

## Instructions

Instructions for RETRO BOARD connection.

### How to connect the keys



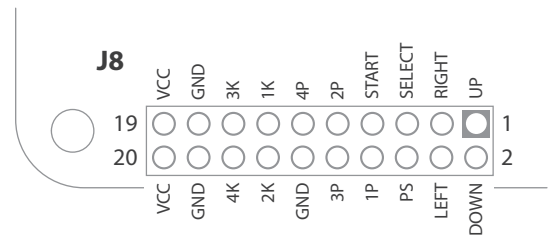
### J11 LED Guide

● LED ON ○ LED OFF

PS3	
Player	LED
1P	VCC P1 P2 P3 P4
2P	VCC P1 P2 P3 P4
3P	VCC P1 P2 P3 P4
4P	VCC P1 P2 P3 P4
5P	VCC P1 P2 P3 P4
6P	VCC P1 P2 P3 P4
7P	VCC P1 P2 P3 P4

Retro Console	
Console	LED
PC	VCC P1 P2 P3 P4
XBOX	VCC P1 P2 P3 P4
PS/PS2	VCC P1 P2 P3 P4
GameCube	VCC P1 P2 P3 P4
DreamCast	VCC P1 P2 P3 P4
Saturn	VCC P1 P2 P3 P4
PC-Engine	VCC P1 P2 P3 P4
FC/NES	VCC P1 P2 P3 P4
SFC/SNES	VCC P1 P2 P3 P4

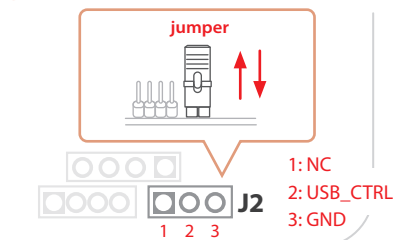
### J8 Detail



### Remapping Configuration

PCB Define	PS3	PS/PS2	XBOX	DC Fighting Stick	Saturn	GameCube	SNES	NES	PC-E
Stick in DP Mode	D-pad	D-pad	D-pad	D-pad	D-pad	D-pad	D-pad	D-pad	D-pad
1P	□	□	X	X	X	Y	Y		
2P	△	△	Y	Y	Y	X	X		
3P	R1	R1	Black	Z	Z	L	L		
4P	L1	L1	White	A	L	Z			
1K	×	×	A	A	A	B	B	B	I
2K	○	○	B	B	B	A	A	A	II
3K	R2	R2	RT	C	C	R	R		
4K	L2	L2	LT		R				
L3	L3	L3	LTSB						
R3	R3	R3	RTSB						
SELECT	SELECT	SELECT	Back				SELECT	SELECT	SELECT
START	START	START	START	START	START	START	START	START	RUN
Stick in LS Mode	Lx	Lx	Lx						
Stick in LS Mode	Ly	Ly	Ly						
Stick in RS Mode	Rx	Rx	Rx						
Stick in RS Mode	Ry	Ry	Ry						
PS_KEY	PS								

### How to connect with UFB



J2	Combo Button (START+SELECT)	Output Via RJ45
Open	No	Retro
Open	Yes	UFB
2-3	No	UFB
2-3	Yes	Retro

Both the UFB and the Retro Board will output over the Retro Board's RJ-45 connector when connected together. The Jumper configuration and Combo Button status on plugin will determine which board will be active upon power up.

